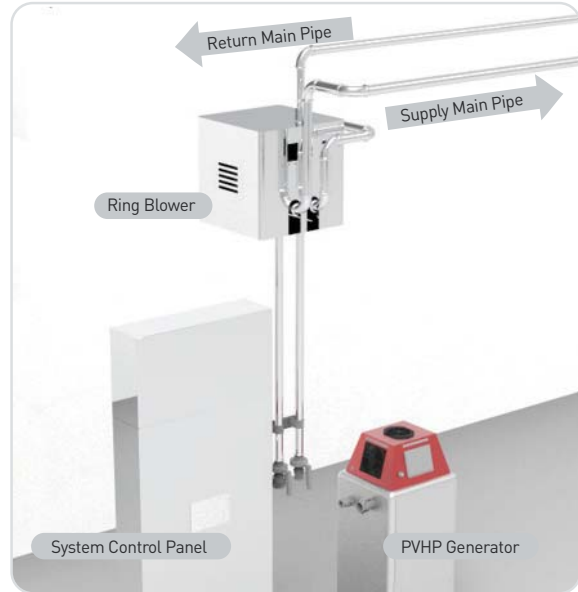


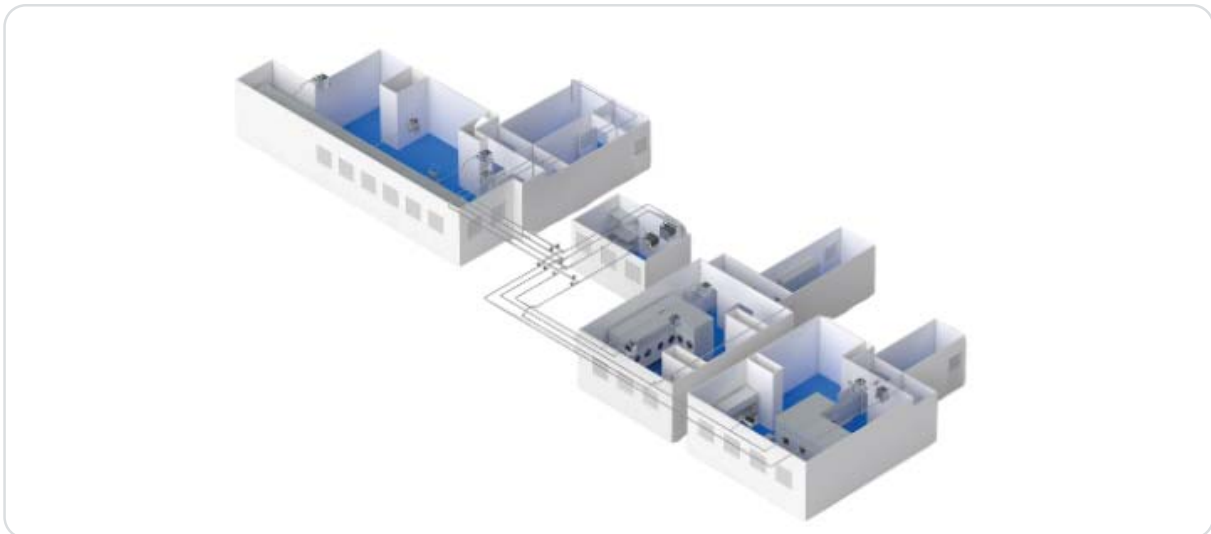
## PVHP Automated System



### System Implementation

The PVHP automated system, first developed by GME Bio, is an automated system that allows for complete sterilization of all areas with the push of a button from an automatic control room.

After installing piping throughout the facility, vaporized Hydrogen Peroxide is automatically sprayed through nozzles connected to the ceiling in each area for sterilization. This ensures consistent sterilization regardless of the operator's skill and minimizes cross-contamination by 99.9%. Additionally, there is no need to set up and remove cleaning and diffusion fans each time, which significantly reduces the whole process.

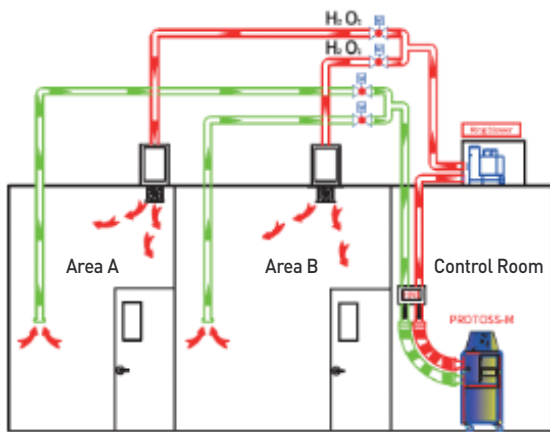


# All in One System

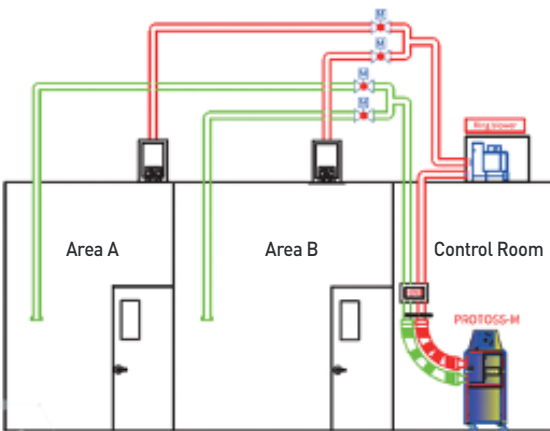
 **120° Diffusion**  
Auto Lift Fan

**Gas**  
H<sub>2</sub>O<sub>2</sub> Nozzle 

➤ Minimization of Installation Costs and Space Utilization



During Sterilization



After Sterilization

