

CleanSweep®

20A and 30A Single Phase AC Power Line EMI Filters

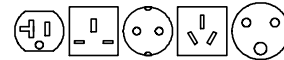
Clean Power Free of High-Frequency Noise

OnFILTER CleanSweep® EMI filters provide noise-free AC power for your sensitive equipment in end-user installations. Innovative design accomplishes maximum noise suppression of signals polluting your power lines, freeing your equipment from harmful interference.

Clean power is essential for uninterrupted and problem-free operation of electrical and electronic equipment. As electromagnetic interference (EMI) spreads through power lines and ground, it causes downtime and errors in today's equipment and may inflict component damage.

Unique design of OnFILTER CleanSweep® series focuses on the properties of real-life signals on power lines and produces maximum attenuation of the "worst offenders" on power lines.

Filters are very easy to install - just plug it into the wall outlet and plug your equipment into the outlet on the filter.



Various configurations available

Applications

- Electronic manufacturing
- Semiconductor fabrication
- Disk drive assembly
- Industrial robotics
- Medical
- Military
- Wherever EMI is an issue

Features

- Easy plug-in installation
- Optimized for power lines
- Effective noise suppression for all types of noise
- CleanSweep® filter family includes single and three phase models for up to 250V AC 30A

Increased Up-Time

OnFILTER CleanSweep® filters reduce equipment downtime caused by EMI and increase its performance and productivity by providing clean power to your sensitive tools.

Transient Noise Suppression

Most of the noise on power lines is not continuous waveforms of high frequency but rather "spikes" generated by solenoids, relays, stepper and variable-frequency motors and alike. The peak value of these spikes can be very strong reaching several volts. OnFILTER CleanSweep® filters are especially effective for this type of signals.

Differential and Common Mode Attenuation

OnFILTER CleanSweep® filters provide suppression for both types of noise - differential (between power line wires) and common-mode (between power line and ground).

Flexible Architecture

OnFILTER CleanSweep® series filters can be configured for different voltages and types of outlets for single and three-phase applications.

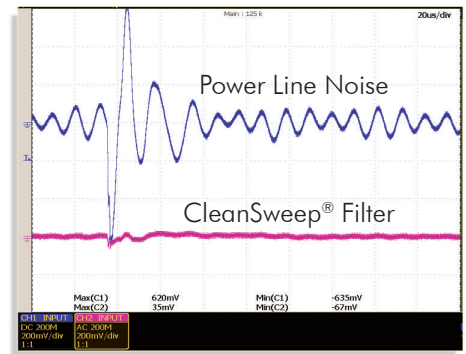
CleanSweep® Power Line AC Filters AF Series



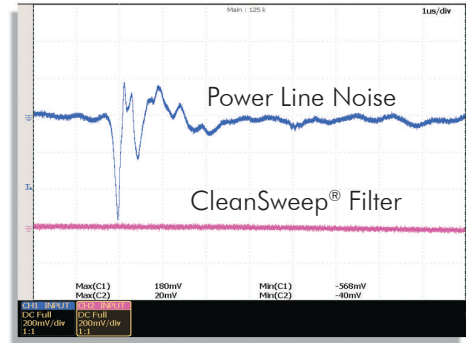
Specification

OnFILTER CleanSweep® filters utilize proprietary technology to provide maximum noise suppression in actual installations, not just in the controlled laboratory environment.

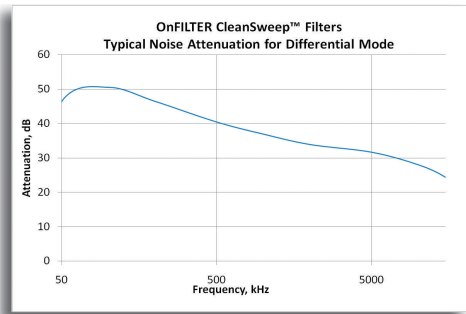
Parameter	20A Filters	30A Filters
Rated Voltage, RMS	110...250V	110...250V
Rated Current, RMS	15...20A	15...30A
Transient Signal Attenuation (Typical)		
Differential Mode	24dB	24dB
Common Mode	20dB	20dB
Continuous Signal Attenuation (Typical)		
0.1/100 Ohms Interface		
Low Frequencies	50dB	50dB
High Frequencies	25dB	25dB
Power Indication	LED	LED
Dimension		
W*D*H	6.15"x6.0"x2.92" 157*153*75mm	6.15"x10"x2.92" 157*254*75mm



Typical Performance with Differential Mode Noise



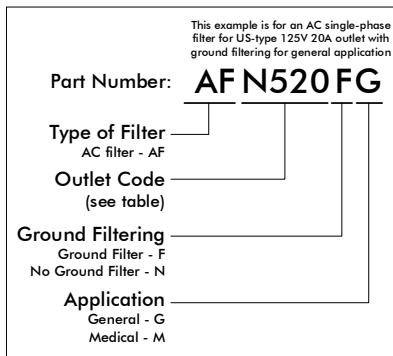
Typical Performance with Common Mode Noise



Typical Frequency Response (Differential Mode)

Ordering Information

Please select the type of filter most suitable for your application. Although there are many selection criteria, choosing the right filter is fairly simple. Most important parameter you need to select is the type of an outlet. The cable supplied with the filter will have the same type of plug.



Single Phase					
OUTLET	ORDERING CODE	OUTLET	ORDERING CODE	OUTLET	ORDERING CODE
	N515 ~125V 15A		N615 ~250V 15A		EUSK ~250V 15A
	N520 ~125V 20A		N620 ~250V 20A		EUUK ~250V 13A
	CN1A ~250V 10A		BS546 ~250V 15A		
	L515 ~125V 15A		L520 ~125V 20A		L530 ~125V 30A
	L615 ~250V 15A		L620 ~250V 20A		L630 ~250V 30A
	TS03A TERMINAL BLOCK SINGLE PHASE 20A		TS03B TERMINAL BLOCK SINGLE PHASE 30A		

Contact us for other configurations



OnFILTER, Inc.
3601-B Caldwell Dr.
Soquel, CA 95073 U.S.A.
Tel. +1.831.824.4052
FAX +1.206.350.7458
www.onfilter.com
info@onfilter.com